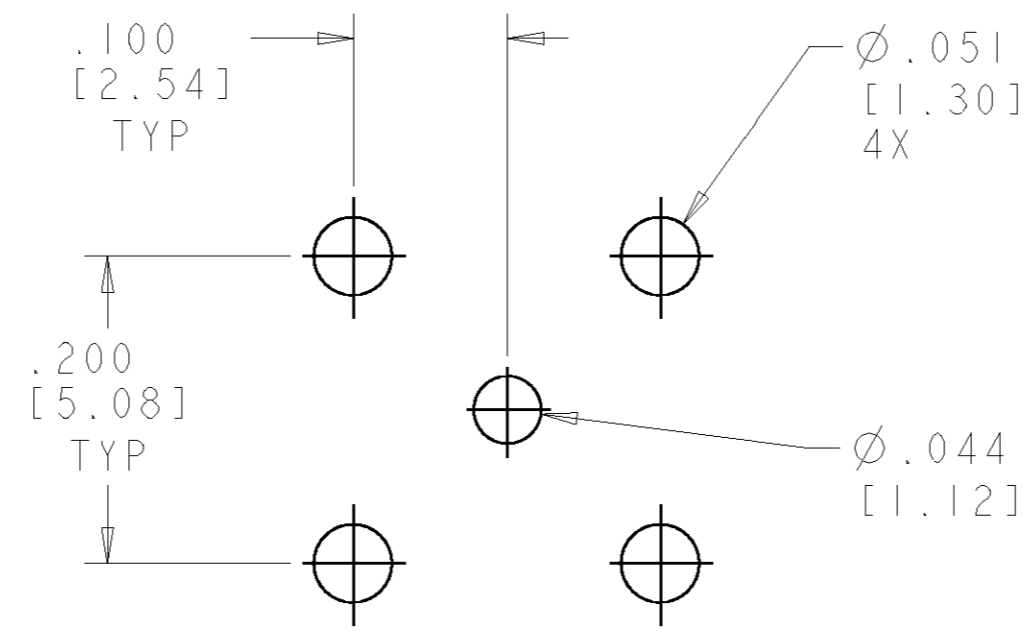
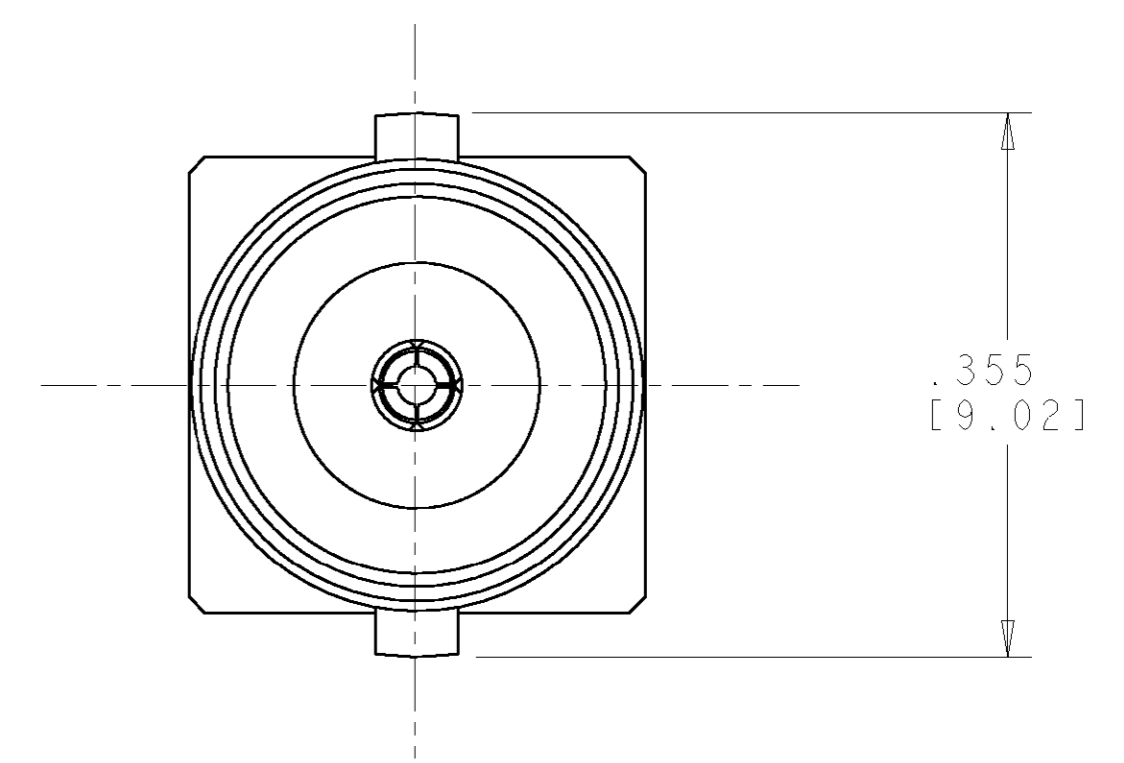
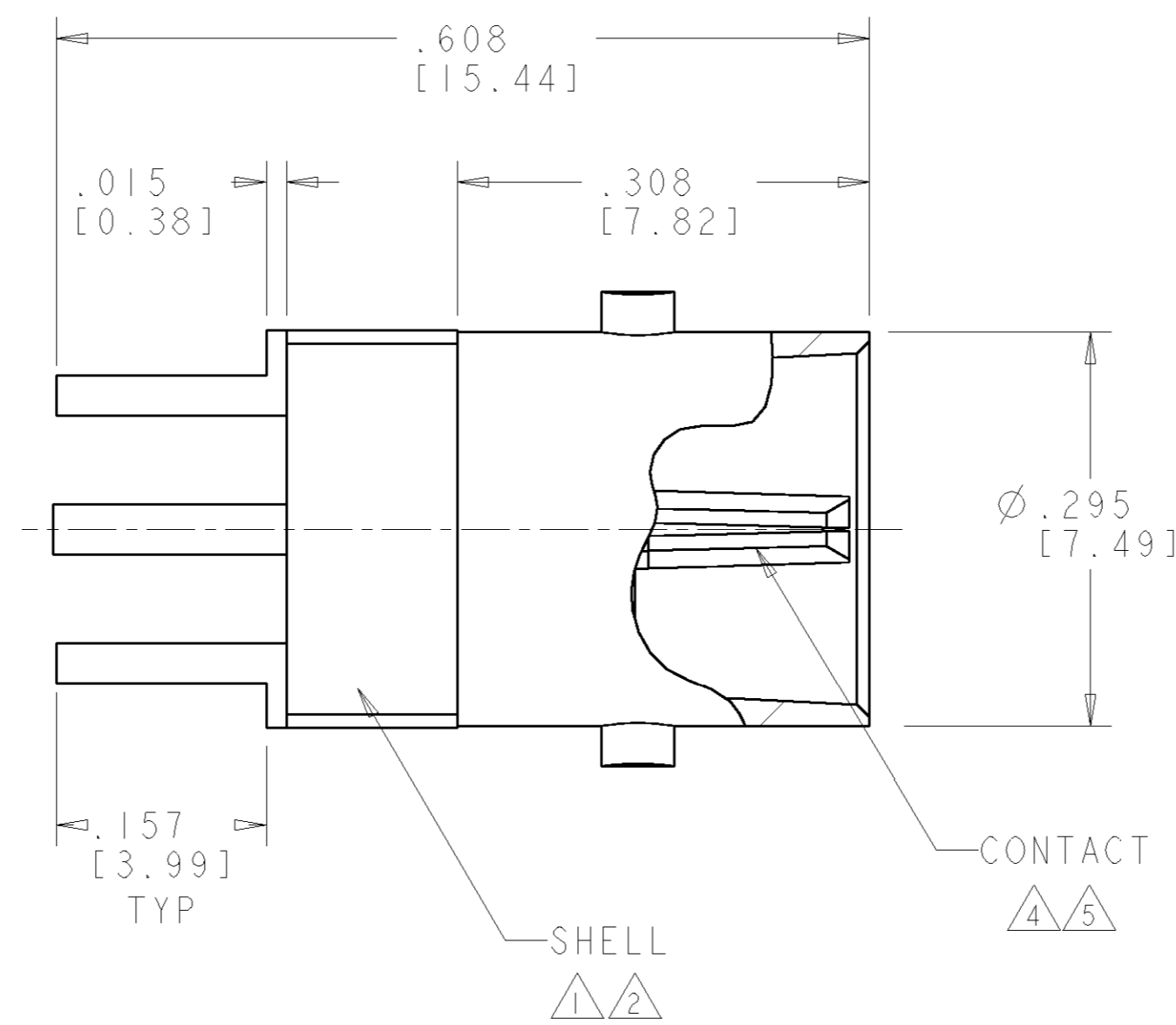
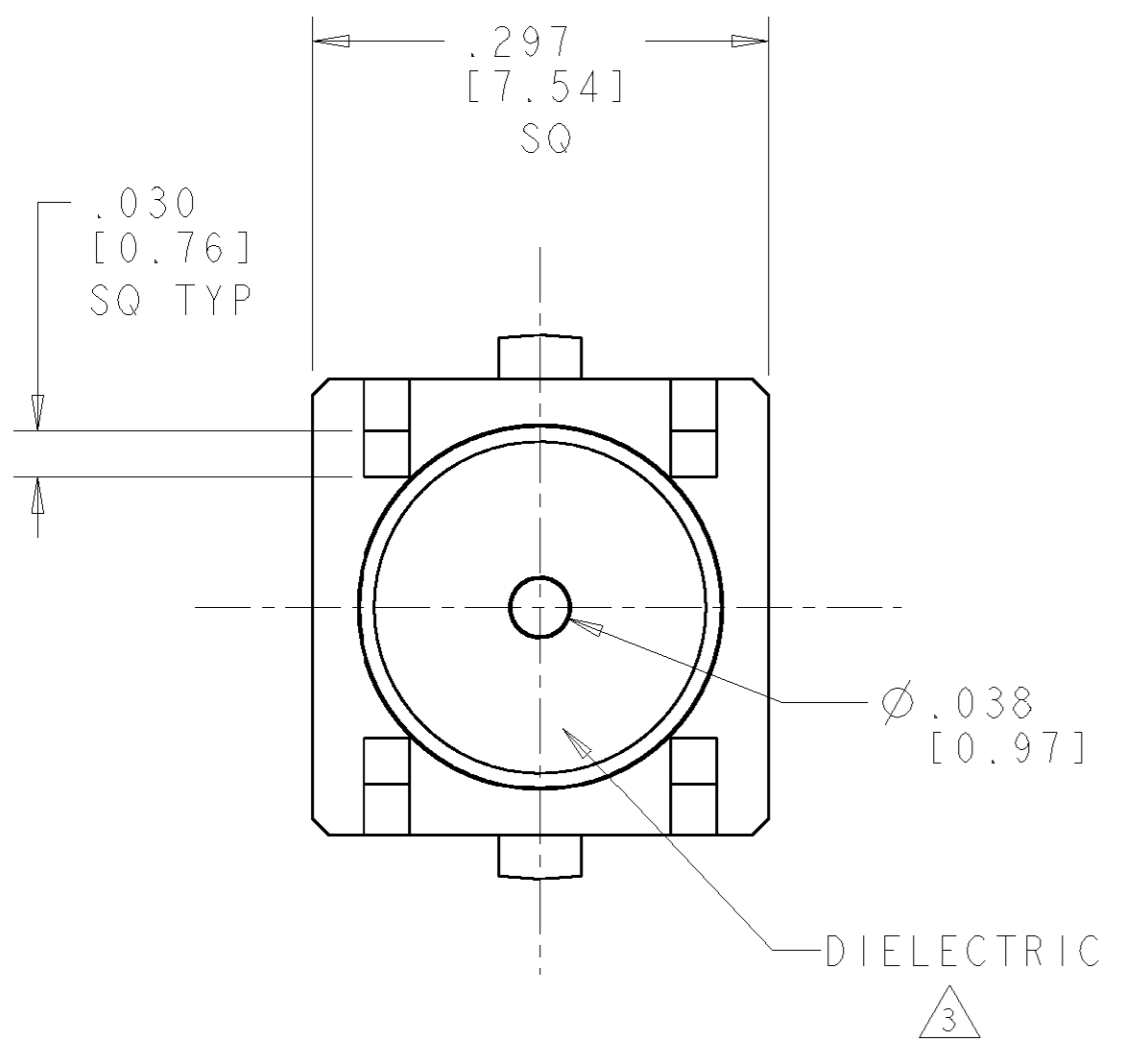


THIS DRAWING IS UNPUBLISHED. RELEASED FOR PUBLICATION 20  
 © COPYRIGHT 20 BY TYCO ELECTRONICS CORPORATION. ALL RIGHTS RESERVED.

LOC	DIST	REVISIONS					
		P	LTR	DESCRIPTION	DATE	DWN	APVD
AJ	16	B		REV PER 0S14-0345-04	09AUG2004	KW	KW



RECOMMENDED PCB LAYOUT  
 TOLERANCE: ±.003 [0.08]

- ① BRASS PER ASTM-B-16
- ② NICKEL PLATE PER QQ-N-290
- ③ PTFE PER ASTM-D-1710
- ④ PHOSPHOR BRONZE PER ASTM-B-139
- ⑤ GOLD PLATE PER ASTM-B488

1274571-1  
 PART NUMBER

<small>THIS DRAWING IS A CONTROLLED DOCUMENT FOR TYCO ELECTRONICS CORPORATION. IT IS SUBJECT TO CHANGE AND THE CONTROLLING ENGINEERING ORGANIZATION SHOULD BE CONTACTED FOR THE LATEST REVISION.</small>		DWN K. WEIDNER 01APR2003 CHK G. MICHAEL 08JAN2004 APVD K. WEIDNER 08JAN2004	<b>tyco</b> Electronics Tyco Electronics Harrisburg, PA 17105-3608
DIMENSIONS: INCHES [mm]	TOLERANCES UNLESS OTHERWISE SPECIFIED: 0 PLC ± 1 PLC ± 2 PLC ± 3 PLC ±.005 [0.13] 4 PLC ± ANGLES ±2° FINISH	PRODUCT SPEC 108-2159 APPLICATION SPEC - WEIGHT -	NAME JACK, VERTICAL, PCB, MINI BNC SIZE A2 CAGE CODE 00779 DRAWING NO. 1274571 RESTRICTED TO -
MATERIAL -		CUSTOMER DRAWING	
		SCALE 8:1	SHEET 1 OF 1 REV B